



TWA-Y SERIES

HIGH TEMPERATURE – COTS-PLUS 200°C



Scan Code
for Web Page



[Click Here to View the TWA-Y Series Datasheet](#)

APPLICATIONS

- › Avionics
- › Industrial
- › Down Hole Oil-Drilling
- › Military
- › Input and Output Filtering
- › Energy Storage

BASIC OVERVIEW

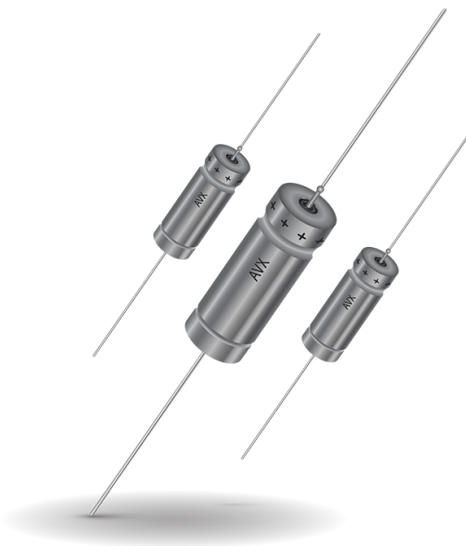
- › TWA-Y Series
- › High Temperature – COTS-Plus 200°C
- › Wet Electrolytic Tantalum Capacitor

UNIQUE FEATURES

- › World's Highest CV/cc at 200°C at 125V
- › Capacitance: 470µF
- › High-Reliability
- › Mechanical Shock and Vibration Requirements of MIL-STD-202 and 213

KEY SPECIFICATIONS

- › High-Reliability Series
- › Temperature Range: -55/+200°C
- › Tantalum Wet Electrolytic, Leaded
- › Robust Design for Long Operation Lifetime
- › Series Cover:
 - 4 Case Sizes Available: T1-T4
 - CV Range: 10-3000µF / 15-125V





Scan Code
for Web Page



[Click Here to View the TWA-Y Series Datasheet](#)

HOW TO ORDER:

TWA	E	757	*	075	□	B	Y	Z	0	^	00
Type	Case Size	Capacitance Code	Capacitance Tolerance	Voltage Code	Insulation Sleeve	Packaging	Qualification	Reliability	Qualification Level	Termination Finish	Custom Test Options
		pF code: 1st two digits represent significant figures 3rd digit represents multiplier (number of zeros to follow)	K = ±10% M = ±20%		C = Without Sleeve S = With Sleeve	B = Tray Pack	Y = High Temp	Z = Non-ER	0 = N/A	0 = Sn/Pb 60/40 7 = Matte tin	00 = Standard



AVAILABLE PART NUMBERS:

- > TWAA686*050□BYZ0^00
- > TWAD227*060□BYZ0^00
- > TWAA156*100□BYZ0^00
- > TWAE188*025□BYZ0^00
- > TWAB567*025□BYZ0^00
- > TWAB157*030□BYZ0^00
- > TWAA336*015□BYZ0^00
- > TWAA336*075□BYZ0^00

GENERAL CHARACTERISTICS

- > The TWA-Y series is a high-temperature product of standard wet electrolytic tantalum capacitors and can be used at 200°C.
- > The high capacitance cathode design allows high values of Capacitance and Voltage in standard case sizes.



FEATURED PART NUMBER: [TWAE477*125□BYZ0^00](#)

FAQ'S

Q: How long can the capacitor be used at 200°C?

A: For selected codes, up to 2000 hours.

Q: What happens to the capacitor after 2000 hours?

A: The capacitor will continue to work, but there may be a parametric shift.

Q: What is the difference between TWA-Y and TWA-X?

A: TWA-Y can be used up to 200°C and TWA-X can be used up to 230°C.



NORTH AMERICA

Allen Mayar
Product Manager
TEL: +1-864-228-4540
Email: allen.mayar@kyocera-avx.com

EUROPE

Iva Dohnalová
Product Manager
TEL: +420-465-358-595
Email: iva.dohnalova@kyocera-avx.com

ASIA

Kelvin Ong
Director of Asia Marketing
TEL: +65-6286-7555
Email: kelvin.ong@kyocera-avx.com

JAPAN

Terry Lee
Tech Marketing Manager
TEL: +82-109045-3533
Email: terry.lee@kyocera-avx.com

